

**Canadian Natural**  
**Upside**

**CENTRAL BRINNELL BATTERY**  
 01-36-80-22 W4M  
**FUEL GAS HEADER**  
**PIPING & INSTRUMENTATION DIAGRAM**

DATE	10-10-25
DATE	10-10-25
DATE	10-10-27
DATE	10-10-27
DATE	10-10-27

SCALE	NTS
JOB NO.	2010066
DRAWING NO.	CBB0136-220-0096

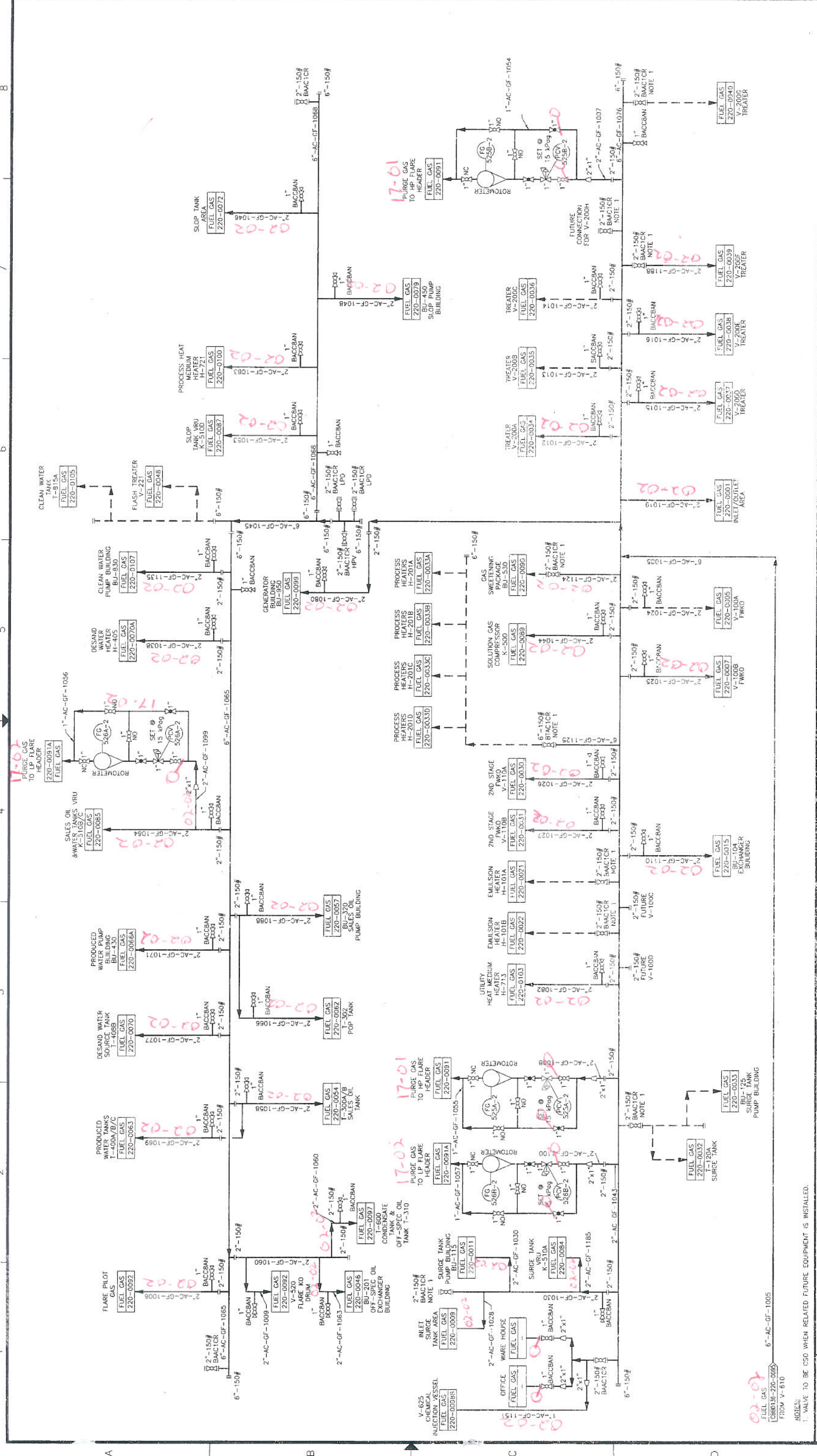
DESIGNED BY:	TRIA
CHECKED BY:	TRIA
APPROVED BY:	TRIA
DATE	12-11-07
DATE	11-12-09
DATE	11-12-09

RE-ISSUED FOR CONSTRUCTION	1
ISSUED FOR CONSTRUCTION	0

**ENGINEER ALBERTA**  
**PROFESSIONAL ENGINEER**  
 2012-11-07  
**UPSIDE**

PERMIT NUMBER: P 5808	2010066
-----------------------	---------

DESCRIPTION	REFERENCE DRAWINGS
-------------	--------------------



NOTES:  
 1. VALVE TO BE CSD WHEN RELATED FUTURE EQUIPMENT IS INSTALLED.